

1-LDCW See-Thru Air Liquid Drainer for Ozone Applications

For Pressures to 150 psig (10 barg) or Specific Gravity 1.0



What Is Ozone?

Ozone is a gas that forms naturally during thunderstorms when lightning converts normal oxygen molecules (O₂) into ozone (O₃). The fresh, sweet smell in the air after a storm is the smell of ozone. The unstable ozone molecule reacts rapidly with most substances and is an extremely strong natural oxidant.

How Is Commercial Ozone Produced?

Ozone can be formed by exposing air to ultraviolet light; however, the most common method of generating ozone is by passing air through an electrical discharge. Because ozone has strong oxidizing properties, its production requires corrosion-resistant equipment.

How Is Ozone Used in Water Filtration and Purification?

Because ozone is such an effective oxidant, it kills viruses, bacteria, mold, mildew, fungus and germs. Passing ozone through water achieves high purification rates without any chemical residue. Oxygen is the only by-product.

Typical Customer Applications:

- Purifying standing ground water in Third World countries.
- Conditioning water for poultry and livestock.
- Purifying water in the bottled water industry.
- Filtering and purifying water for process applications.

A See-Thru Body Shows You It's Working

Now, you can literally see what you've been missing. The Armstrong 1-LDCW See-Thru Liquid Drainer lets you easily check its operating condition. You won't have to waste time and money scheduling maintenance that isn't needed, and you can quickly react to a condition before it becomes a problem.

Efficient Operation

Simple ball-float mechanism doesn't need electricity to operate. The liquid drainer automatically discharges liquid when it is present. No air or gas is lost, as with manual draining.

Positive Seating

Free-floating valve mechanism ensures positive seating and prevents liquid loss. There are no fixed pivots to wear or create friction. Wear points are heavily reinforced for long life.

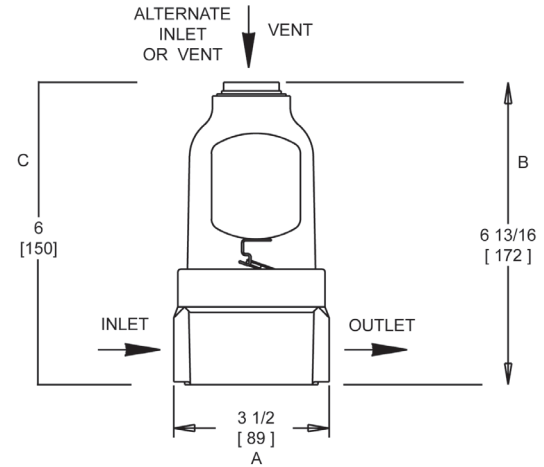
Corrosion Resistance

Long-lasting polycarbonate cap and body provides trouble-free operation. T316 stainless steel internal parts resist corrosion and reduce maintenance.

Compare—and Save the Difference

Seeing really is believing—especially when you compare the Armstrong 1-LDCW See-Thru Air Liquid Drainer with manual drainage. Measure the time and money you can save with a more efficient, easier-to-maintain system. For more information or technical assistance, contact your local Armstrong Representative.

NOTE: The Armstrong 1-LDCW should not be used in an environment where there are high levels of ketones or chlorinated or aromatic hydrocarbons.



1-LDCW

List of Materials	
Name of Part	Material
Cap	Polycarbonate
Body	Polycarbonate
O-Rings (Body Cap and Fitting)	Aflas
Float Lever and Screws	T316 Stainless Steel
Valve & Seat	T316 Stainless Steel
Fitting	Polycarbonate
Retainer Ring	Zinc Plated Steel

	Physical Data	
	in	mm
Inlet Connection (In Body)	3/4	20
Inlet Connection (Alternate)	1/2	15
Outlet Connection	1/2	15
"A" Face-to-Face	3-1/2	89
"B" Height	6-13/16	172
"C" Bottom to C	6	152
Maximum Allowable Pressure (Vessel Design)	150 psig @ 150°F (10 barg @ 66°F)	
Maximum Operating Pressure	150 psig (10 barg)	
Specific Gravity Range	1.00 to 0.80	
Weight, lb (kg)	1 (.5)	

Liquid Drainers