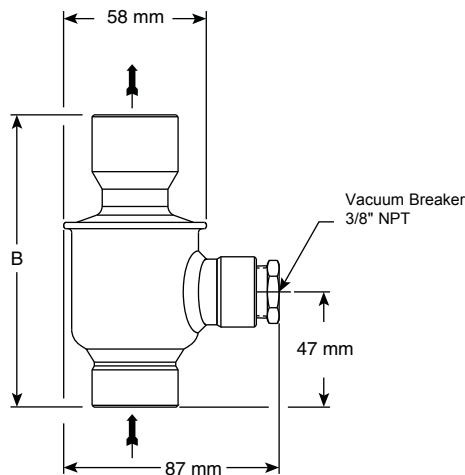


Stainless Steel Thermostatic Air Vent/Vacuum Breaker

For Pressures to 10 bar...Capacities to 93 m³/h



The Armstrong TAVB is a combination thermostatic air vent/vacuum breaker that is ideally suited for steam-filled vessels with modulating controls. The TAVB will vent air and other non-condensables from vessels such as shell and tube heat exchangers, jacketed kettles and steam coils during their operation. It will also break the vacuum that forms during steam control modulation.

This balanced pressure air vent responds to the pressure-temperature curve of steam, and the soft-seated vacuum breaker responds to 0,0051 bar of vacuum.

Features

- Maximum allowable pressure: 20 bar
- Maximum allowable temperature: 185°C
- Maximum working pressure: 10 bar
- All stainless steel welded construction
- NPT connections

Armstrong thermostatic air vents should be installed at the highest point on a steam chamber, with the air vent located above the chamber. This will minimize the possibility of any liquid carryover, and air can be vented to atmosphere without a drain line.

Table AV-349-1. TAVB Physical Data (dimensions in mm)

Model No.		TAVB-2	TAVB-3
Pipe Connections	Thermostatic Air Vent	15	20
	Vacuum Breaker	3/8"	3/8"
"A" (Diameter)		57	57
"B" (Height)		117	119
"C" (∅ Inlet to Face of Vacuum Breaker)		54	54
Weight lb (kg)		0,45	0,57
Maximum Allowable Pressure (Vessel Design)		20 bar @ 185°C	
Maximum Operating Pressure		10 bar	
Discharge Orifice Size		3/16"	

Table AV-349-2. TAVB List of Materials

Name of Part	Material
Body	304L Stainless Steel
Connections	304 Stainless Steel
Balanced Pressure Thermostatic Air Vent	Stainless steel and bronze with phosphor-bronze bellows, entire unit caged in stainless steel
Gasket	Copper clad non-asbestos
Vacuum Breaker Body	303 Stainless Steel
Valve	Stainless Steel
Spring	302 Stainless Steel
«O» Ring	EPDM
Screen	Stainless Steel

All sizes comply with the article 3.3 of the PED (97/23/EC).

All dimensions and weights are approximate. Use certified print for exact dimensions. Design and materials are subject to change without notice.