



995LD-DSS Duplex Stainless Steel Free Floating Guided Lever Drain Trap

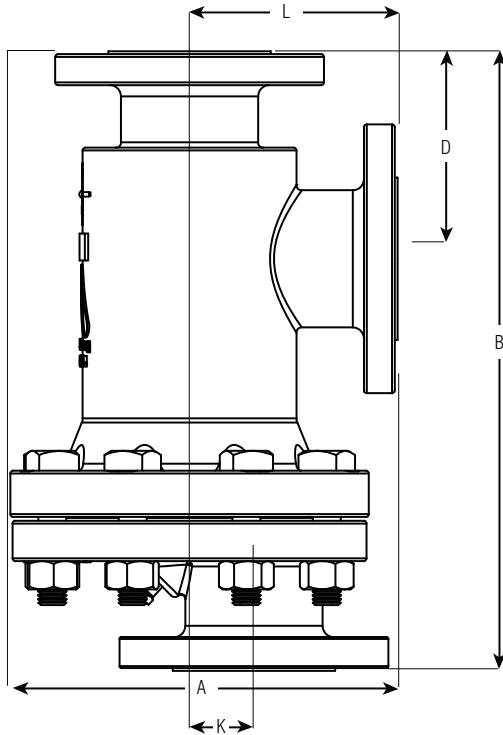
For Loads to 5 000 kg/h...Pressures to 20 bar

Armstrong's duplex stainless steel free-floating guided lever drain trap uses lever mechanisms, valves and seats of Armstrong inverted bucket steam traps that have been proven in years of service. Elliptical floats and high leverage make it possible to open large orifices to provide adequate capacity for drain trap size and weight.

The hemispherical valve, seat and leverage of the 995LD-DSS duplex stainless steel trap are identical in design, materials and workmanship to those for saturated steam service up to 20 bar with the exception of the addition of a guidepost to assure a positive, leaktight valve closing under all conditions. With an exceptional corrosion resistance the 995LD-DSS is designed to suit offshore and NACE* applications.

Model No.	Valve & Seat	Leverage System	Float	Bolts & Nuts	Body & Cap	Spiral Wound Gasket
9954LD-DSS 9956LD-DSS 9958LD-DSS	316 Stainless Steel NACE			DSS ASTM A453 Grade 660 class A	DSS ASTM A995 Grade 4A	UNS S 32205 / UNS S 31803

For information on special materials, consult the Armstrong Application Engineering Department.



9954LD-DSS duplex stainless steel guided lever drain trap class 150.



Model No.	995LD-DSS
Pipe Connections	1" - 1 1/2" - 2"
«A»	203
«B» (Flanged 150RF)	351
«D»	118
«L»	118
«K»	36,5
Weight, kg	22 - 24 - 26
Maximum Allowable Pressure (Vessel Design)	20 bar @ 38 °C 17,9 bar @ 93 °C

All models are CE marked according to the PED (97/23/EC).

How to Order

Model	Connection Size
9954LD-DSS	4 = 1"
9956LD-DSS	6 = 1-1/2"
9958LD-DSS	8 = 2"

Table LD-396-3. Maximum Operating Pressures for Handling Different Specific Gravity Liquids With Orifices Available in Guided Free Floating Lever Drain Traps.

Model No.	Sp. Grav	1,00	0,95	0,90	0,85	0,80	0,75	0,70	0,65	0,60	0,55	0,50
	Orifice	Maximum Operating Pressure psi / bar										
	in	bar	bar	bar	bar	bar	bar	bar	bar	bar	bar	bar
995LD-DSS to 20 bar (Duplex Stainless Steel)	1/2	1,1	1,0	0,9	0,8	0,7	0,6	0,5	0,4	0,3	0,2	0,1
	3/8	2,3	2,1	1,9	1,7	1,5	1,3	1,1	0,9	0,7	0,5	0,3
	5/16	3,7	3,4	3,0	2,7	2,4	2,1	1,7	1,4	1,1	0,8	0,4
	9/32	4,9	4,5	4,0	3,6	3,2	2,7	2,3	1,9	1,4	1,0	0,6
	1/4	7,4	6,7	6,1	5,4	4,8	4,1	3,5	2,8	2,2	1,5	0,9
	7/32	10,5	9,6	8,7	7,7	6,8	5,9	5,0	4,0	3,1	2,2	1,2
	3/16	16	14	13	12	10,3	8,9	7,5	6,1	4,7	3,3	1,9
	5/32	-	-	-	-	16	14	12	9,5	7,3	5,1	2,9
	1/8	-	-	-	-	20	20	20	19	15	10,3	5,9
	7/64	-	-	-	-	20	20	20	20	19	13	7,6

NOTE: If specific gravity falls between those shown in the chart, use the next lower gravity. For example, if specific gravity is 0,73, use 0,70 gravity data.

* According to MR0175/ISO015153-1/2/3

All dimensions and weights are approximate. Use certified print for exact dimensions. Design and materials are subject to change without notice.

Armstrong International SA • Parc Industriel des Hauts-Sarts (2^e Avenue) • 4040 Herstal • Belgium

Tel.: +32 (0)4 240 90 90 • Fax: +32 (0)4 240 40 33

www.armstronginternational.eu • info@armstronginternational.eu