

Air Loaded Valves for Steam

The GD-2000K is an ideal choice when set point changes are frequent, access to the valve is difficult and steam quality is poor. The GD-2000K comes with either BSPT or flanged connections for quick, easy installation.

It also comes with a durable ductile iron body and features double stainless steel diaphragms and hardened stainless working parts, renewable in-line. High Cv and 10:1 turndown ratio. Single seated for dead-end service.

Table PTC-256-1. GD-2000K Specifications

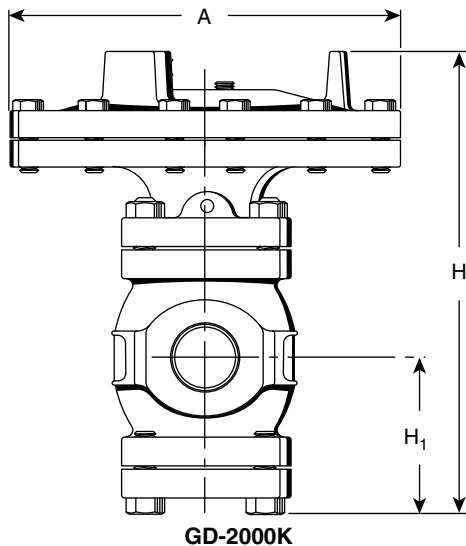
Application	Inlet Pressure (barg)	Reduced Pressure (barg)	Maximum Temperature (°C)	Minimum Differential (barg)	Materials			
					Body	Main Valve / Seat	Diaphragm	Color
Steam	1 - 20*	0,5 - 14 (Additional Air Pressure required)	232	0,5	Ductile Iron ASTM A536	Stainless Steel AISI 420	Stainless Steel AISI 301	Dark Gray

Table PTC-256-2. GD-2000K Dimensions and Weights

Size	Face-to-Face		H ₁	H	A	Weight		Cv
	BSPT	PN 25/40				BSPT	PN 25/40	
	mm	mm	mm	mm	mm	kg	kg	
15 - 1/2"	150	150	74	244	200	13	14	5,0
20 - 3/4"	150	150	74	244	200	13	15	7,2
25 - 1"	160	160	76	251	226	17	19	10,9
32 - 1 1/4"	180	180	90	282	226	20	23	14,3
40 - 1 1/2"	180	200	90	282	226	20	23	18,8
50 - 2"	230	230	103	319	276	31	35	32,0
65 - 2 1/2"	—	290	122	373	352	—	64	60,0
80 - 3"	—	310	135	399	352	—	71	78,0
100 - 4"	—	350	167	488	401	—	112	120,0

* All sizes comply with the article 4.3 of the PED (2014/68/UE), but PMA for DN65 is 15 bar, for DN80: 12,5 bar and for DN100: 10 bar. For capacities see page PTC-263.

External Sensing Line is not included as standard, but could be delivered on request. Internal Sensing Kit is also available.



All dimensions and weights are approximate. Use certified print for exact dimensions. Design and materials are subject to change without notice.